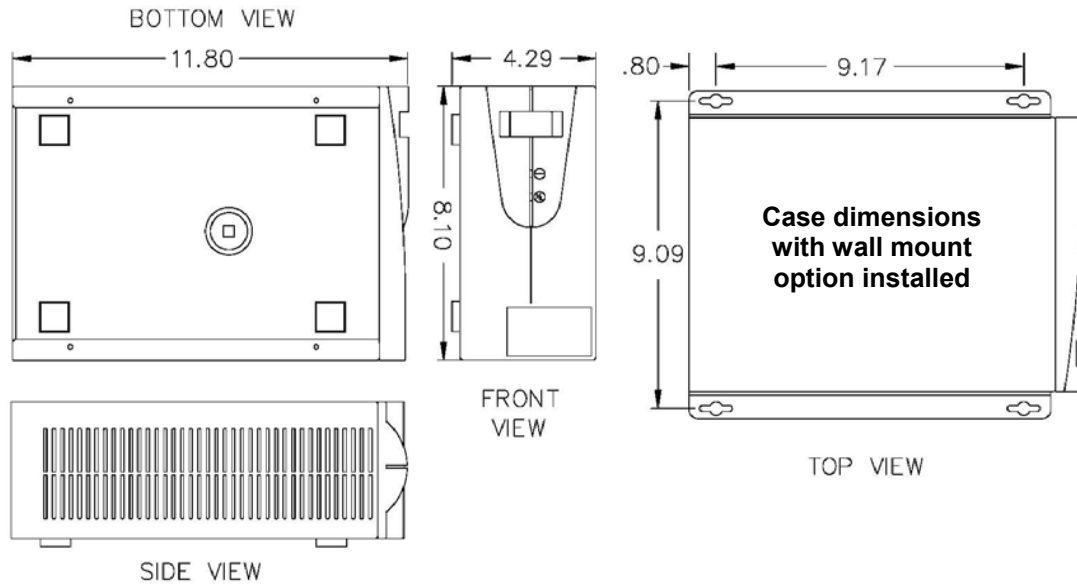


North American Medical Power Conditioners - "C" Case Enclosure



	ABC200-11MED Part # 93049-XXR	ABC300-11MED Part # 93050-XXR	ABC400-11MED Part # 93051-XXR	ABC500-11MED Part # 93060-XXR	ABC600-11MED Part # 93072-XXR
VA Rating	240	360	480	600	720
Frequency	60 Hz.	60 Hz.	60 Hz.	60 Hz.	60 Hz.
BTU/Hr. Output	82	86	115	123	147
T.H.D. % Added	<1%	<1%	<1%	<1%	<1%
Load Surge Current @					
1/2 cycle	38 amps	82 amps	125 amps	175 amps	215 amps
1 second	14 amps	28 amps	60 amps	84 amps	102 amps
10 seconds	6 amps	10 amps	17 amps	24 amps	30 amps
Input Voltage	120	120	120	120	120
Output Voltage	120	120	120	120	120
Output Current	2.0 amps	3.0 amps	4.0 amps	5.0 amps	6.0 amps
Efficiency	90%	94%	93%	94%	94%
Voltage Drop No Load to Full Load	9%	6%	7%	6%	6%
Earth Leakage	< 300 μamps	< 300 μamps	< 300 μamps	< 300 μamps	< 300 μamps
Wall mountable*	Yes	Yes	Yes	Yes	Yes
Compliance	UL60601-1 CSA 22.2 No. 60601.1 RoHS	UL60601-1 CSA 22.2 No. 60601.1 RoHS	UL60601-1 CSA 22.2 No. 60601.1 RoHS	UL60601-1 CSA 22.2 No. 60601.1 RoHS	UL60601-1 CSA 22.2 No. 60601.1 RoHS
Shipping Weight (lbs.)	18	18	23	23	23

* Add W to model number for wallmount

North American Medical Conditioners - "C" Case Enclosure

POWERVAR Part

ABC200-11MED—93049-XXR**

ABC300-11MED—93050-XXR**

ABC400-11MED—93051-XXR**

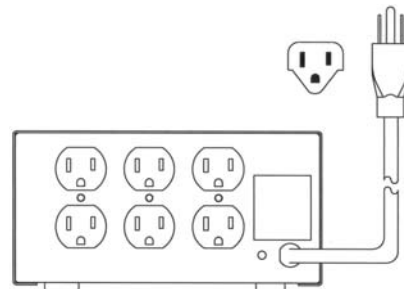
ABC500-11MED - 93060-XXR**

ABC600-11MED—93072-XXR**

When ordering, add two digit number from below in place of **XX to specify receptacle option desired.

Hospital Grade Plugs/Receptacles

- 13 - 5-15P plug and three 5-15R duplex hospital grade
- 33 - 5-15P plug and three 5-15R duplex hospital grade with wallmount adapter



Important Product Note

All POWERVAR North American medical power conditioners are equipped with hospital grade plugs and hospital grade receptacles and are listed to UL60601-1 and CSA 22.2 No. 60601. Medical power conditioners are designed for use in "patient vicinity" applications where safety concerns require earth leakage currents to be less than 300 μ amps.

NOISE REJECTION-ISOLATION: With unit under power and an ANSI/IEEE C62.41 Cat. A pulse applied either normal or common mode at the input, the noise output voltage will be less than 10V normal mode and less than 0.5V common mode in all four quadrants (CM-NM, NM-NM, CM-CM, NM-CM).

SURGE VOLTAGE WITHSTAND CAPABILITY: Tested under power to ANSI/IEEE C62.41 Cat. A & B (formerly IEEE587-1980). Cat. A - 6000V @ 200 amps, 0.5 usec risetime, 100 kHz decay, Cat. B - 6000V @ 500 amps, 0.5 usec risetime, 100 kHz decay.

Warranty/Support: POWERVAR warrants its power conditioners to be free from defects in materials and workmanship for a period of five years from the date of shipment. For North American service or support on any POWERVAR product, please contact POWERVAR Technical Support at (800) 369-7179 (in Illinois call (847-596-7000)). For service and support in EMEA, contact POWERVAR, Ltd. in the United Kingdom at +44 (0) 1793 553980. Or visit the POWERVAR website at www.powervar.com.

POWERVAR, Inc. - 1450 Lakeside Drive, Waukegan, IL 60085

POWERVAR, Ltd. - Unit 5 Birch, Kembrey Park, Swindon, Wiltshire, UK SN2 8UU