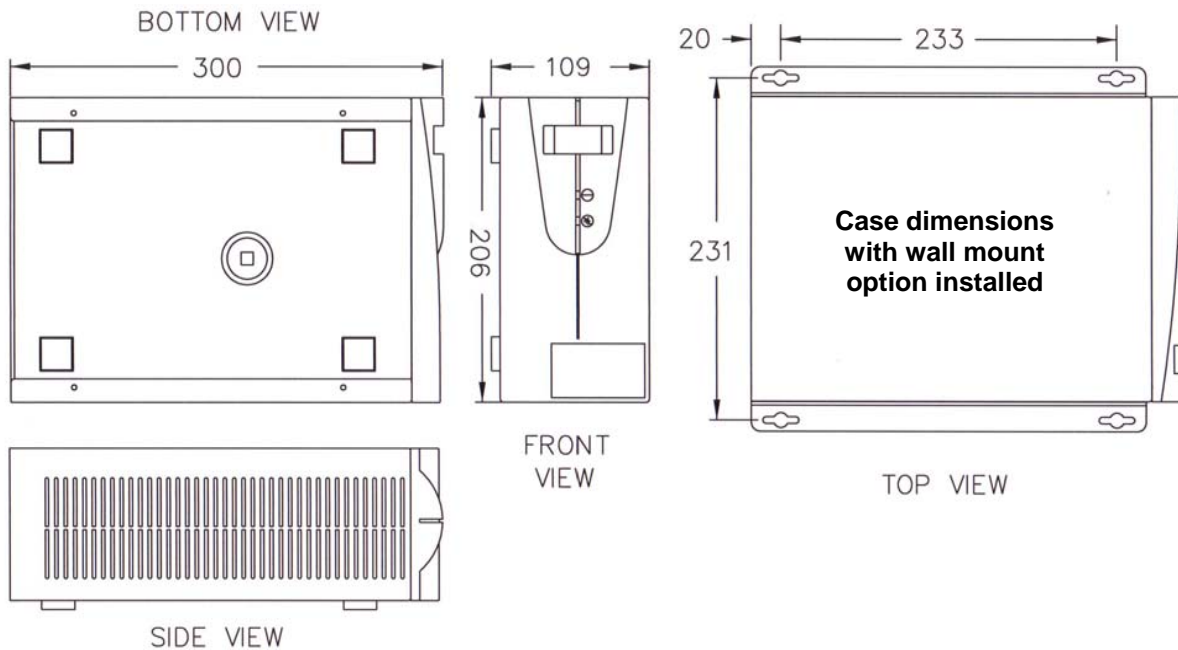


International Medical Power Conditioners - "C" Case Enclosure



	<i>ABC500-22MED Part # 68021-XXR</i>	<i>ABC750-22MED Part # 68031-XXR</i>
<i>VA Rating</i>	500	750
<i>Frequency</i>	50/60 Hz.	50/60 Hz.
<i>BTU/Hr. Output</i>	85	128
<i>T.H.D. % Added</i>	<1%	<1%
<i>Load Surge Current @</i>		
<i>1/2 cycle</i>	100 amps	130 amps
<i>1 second</i>	48 amps	62 amps
<i>10 seconds</i>	14 amps	18 amps
<i>Input Voltage</i>	200-264	200-264
<i>Output Voltage</i>	200-264	200-264
<i>Output Current</i>	2.08 amps	3.12 amps
<i>Efficiency</i>	95%	95%
<i>Voltage Drop No Load to Full Load</i>	7.2%	6%
<i>Earth Leakage</i>	< 300 μamps	< 300 μamps
<i>Wall mountable*</i>	Yes	Yes
<i>Compliance</i>	IEC60601.1, CE, RoHS	IEC60601.1, CE, RoHS
<i>Shipping Weight (kgs.)</i>	11	13

* Add W to model number for wall mount

International Medical Conditioners - "C" Case Enclosure

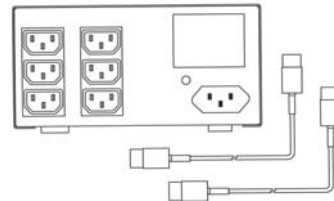
POWERVAR Part

ABC500-22MED—68021-XX**R

ABC750-22MED—68031-XX**R

When ordering, add two digit number from below in place of **XX to specify option desired.

- 03 - Two IEC320 receptacle strips with two output cords
- 23 - Two IEC320 receptacle strips with two output cords and wallmount adapter



Important Product Note

All POWERVAR international medical power conditioners are listed to IEC60601.1. Medical power conditioners are designed for use in applications where safety concerns require earth leakage currents to be less than 300 μ amps.

NOISE REJECTION-ISOLATION: With unit under power and an ANSI/IEEE C62.41 Cat. A pulse applied either normal or common mode at the input, the noise output voltage will be less than 10V normal mode and less than 0.5V common mode in all four quadrants (CM-NM, NM-NM, CM-CM, NM-CM).

SURGE VOLTAGE WITHSTAND CAPABILITY: Tested under power to ANSI/IEEE C62.41 Cat. A & B (formerly IEEE587-1980). Cat. A - 6000V @ 200 amps, 0.5 usec risetime, 100 kHz decay, Cat. B - 6000V @ 500 amps, 0.5 usec risetime, 100 kHz decay.

Warranty/Support: POWERVAR warrants its power conditioners to be free from defects in materials and workmanship for a period of five years from the date of shipment. For North American service or support on any POWERVAR product, please contact POWERVAR Technical Support at (800) 369-7179 (in Illinois call (847-596-7000)). For service and support in EMEA, contact POWERVAR, Ltd. in the United Kingdom at +44 (0) 1793 553980. Or visit the POWERVAR website at www.powervar.com.

POWERVAR, Inc. - 1450 Lakeside Drive, Waukegan, IL 60085

POWERVAR, Ltd. - Unit 5 Birch, Kembrey Park, Swindon, Wiltshire, UK SN2 8UU